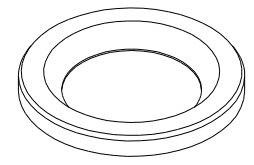
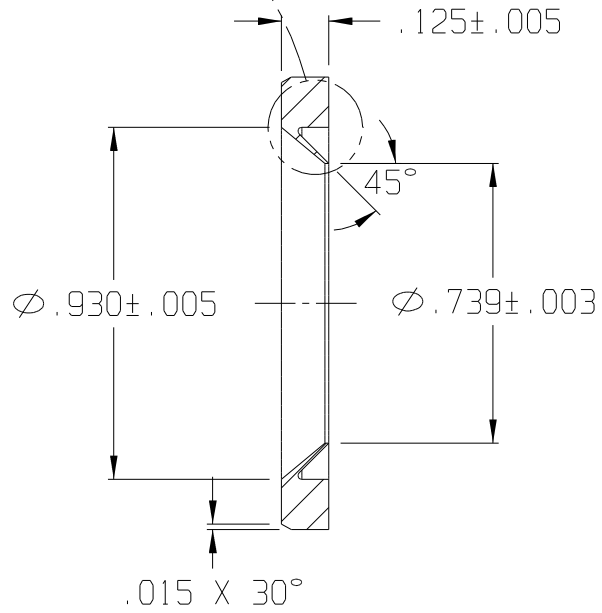
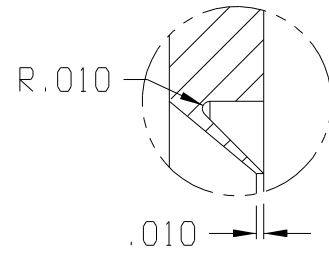
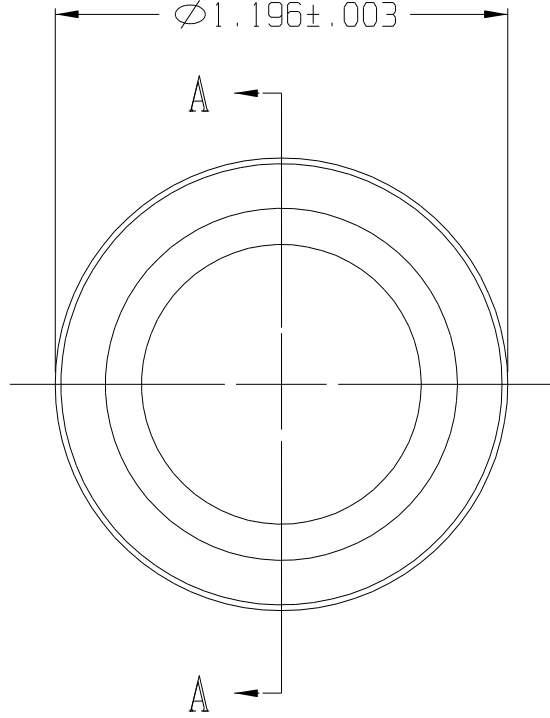


10	9	8	7	6	5	4	3	2	1
REV	DATE	DESCRIPTION							
A	01/03	REDRAWN ON CAD							



ISOMETRIC VIEW  
SCALE 1:1

SECTION A-A

F::CADKEY/AUCILLA BEARING/PART PRINTS/API 0200\_A

THIS DOCUMENT CONTAINS PROPRIETARY DESIGNS, SPECIFICATIONS, DATA, INFORMATION AND TECHNICAL MATERIAL THAT ARE THE SOLE PROPERTY OF AUCILLA, INC. THIS INFORMATION IS TO BE HELD AND TREATED BY ITS RECIPIENT ON A CONFIDENTIAL BASIS, AND IS NOT TO BE SHOWN OR DISCLOSED TO THIRD PARTIES WITHOUT THE WRITTEN CONSENT OF AUCILLA INC. THIS DATA DOES NOT CONVEY MANUFACTURING RIGHTS TO ANY ITEM SHOWN.



STANDARD TOLERANCES APPLY UNLESS OTHERWISE NOTED	
LINEAR INCH	ANGULAR
4 PLACE $\pm$ -----	4 PLACE $\backslash$ -----
3 PLACE $\pm$ .010	3 PLACE $\backslash$ -----
2 PLACE $\pm$ -----	2 PLACE $\backslash$ -----
1 PLACE $\pm$ -----	1 PLACE $\backslash$ -----
WHOLE $\pm$ -----	WHOLE $\backslash$ -----

DESCRIPTION GREASE SEAL			
PART NO. LS-153	API NO. 0200	SCALE: 2:1	REV. A
MATERIAL: Santoprene 203-50 Nat.	DRAWN BY: Dittrich	DATE: Jan. 2003	

Technical drawing grid with alphanumeric labels (A-H, 1-10) around the perimeter.