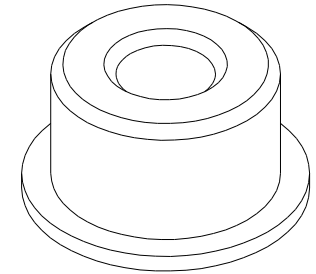
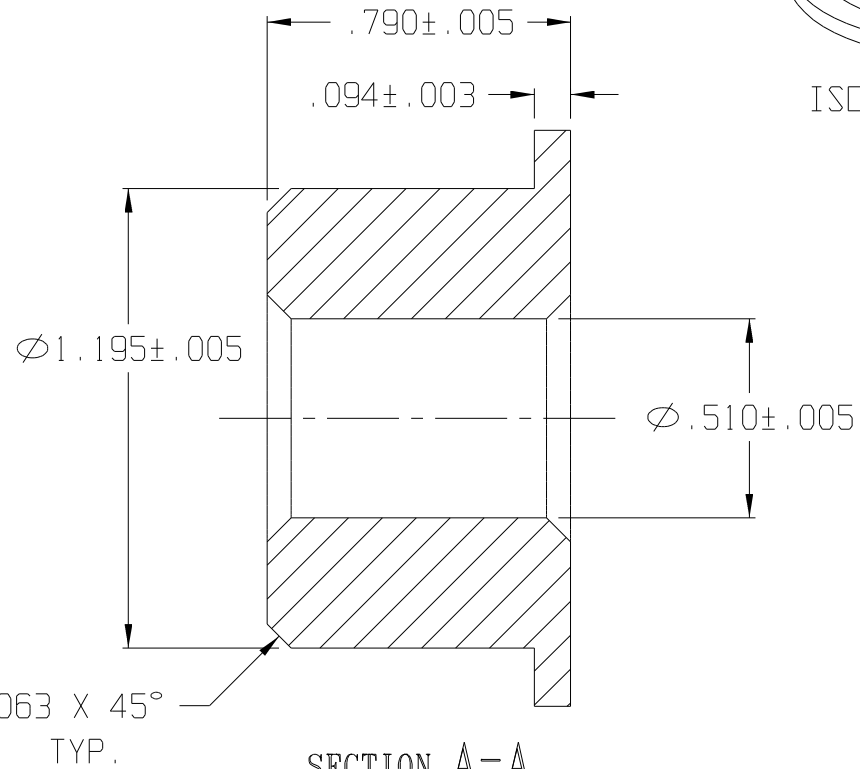
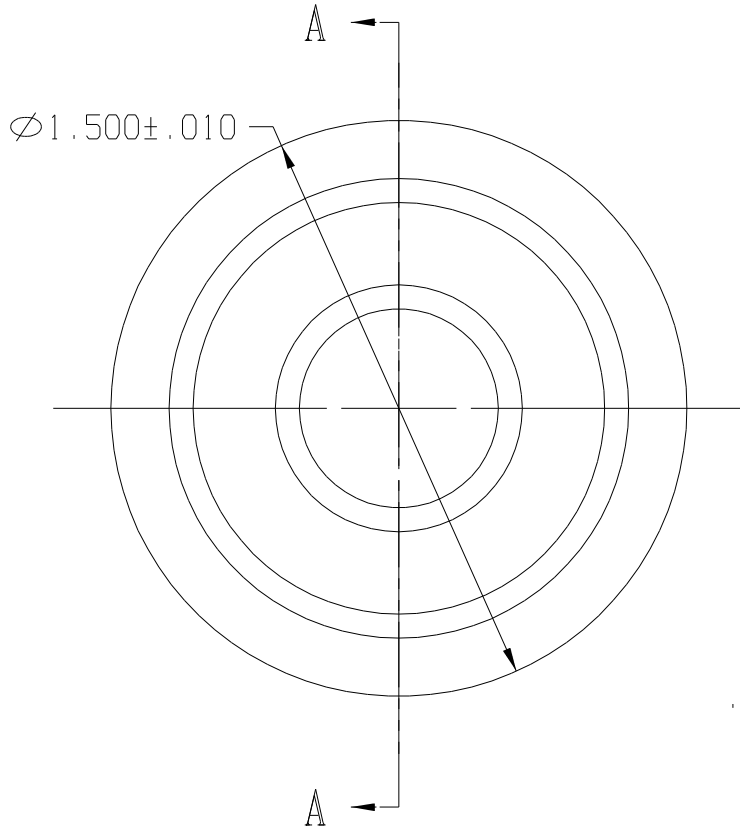


10 9 8 7 6 5 4 3 2 1

REV	DATE	DESCRIPTION
A	12/02	REDRAWN ON CAD
B	04/03	UPDATED TOLERANCES



ISOMETRIC VIEW  
SCALE 1:1



SECTION A-A

F:\CADKEY\AUCILLA BEARING\PART PRINTS\API 0287\_B

THIS DOCUMENT CONTAINS PROPRIETARY DESIGNS, SPECIFICATIONS, DATA, INFORMATION AND TECHNICAL MATERIAL THAT ARE THE SOLE PROPERTY OF AUCILLA, INC. THIS INFORMATION IS TO BE HELD AND TREATED BY ITS RECIPIENT ON A CONFIDENTIAL BASIS, AND IS NOT TO BE SHOWN OR DISCLOSED TO THIRD PARTIES WITHOUT THE WRITTEN CONSENT OF AUCILLA, INC. THIS DATA DOES NOT CONVEY MANUFACTURING RIGHTS TO ANY ITEM SHOWN.



STANDARD TOLERANCES APPLY UNLESS OTHERWISE NOTED

LINEAR INCH		ANGULAR	
4 PLACE	$\pm$ -----	4 PLACE	$\backslash$ -----
3 PLACE	$\pm$ .010	3 PLACE	$\backslash$ -----
2 PLACE	$\pm$ -----	2 PLACE	$\backslash$ -----
1 PLACE	$\pm$ -----	1 PLACE	$\backslash$ -----
WHOLE	$\pm$ -----	WHOLE	$\backslash$ -----

DESCRIPTION FLANGED BEARING, SOLID			
PART NO.	LS-113	API NO.	0287
MATERIAL:	Delrin 500P NC10	DRAWN BY:	Dittrich
SCALE:	2:1	REV.	B
DATE:	Dec. 2002		

10 9 8 7 6 5 4 3 2 1