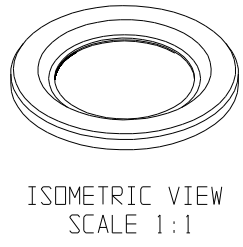
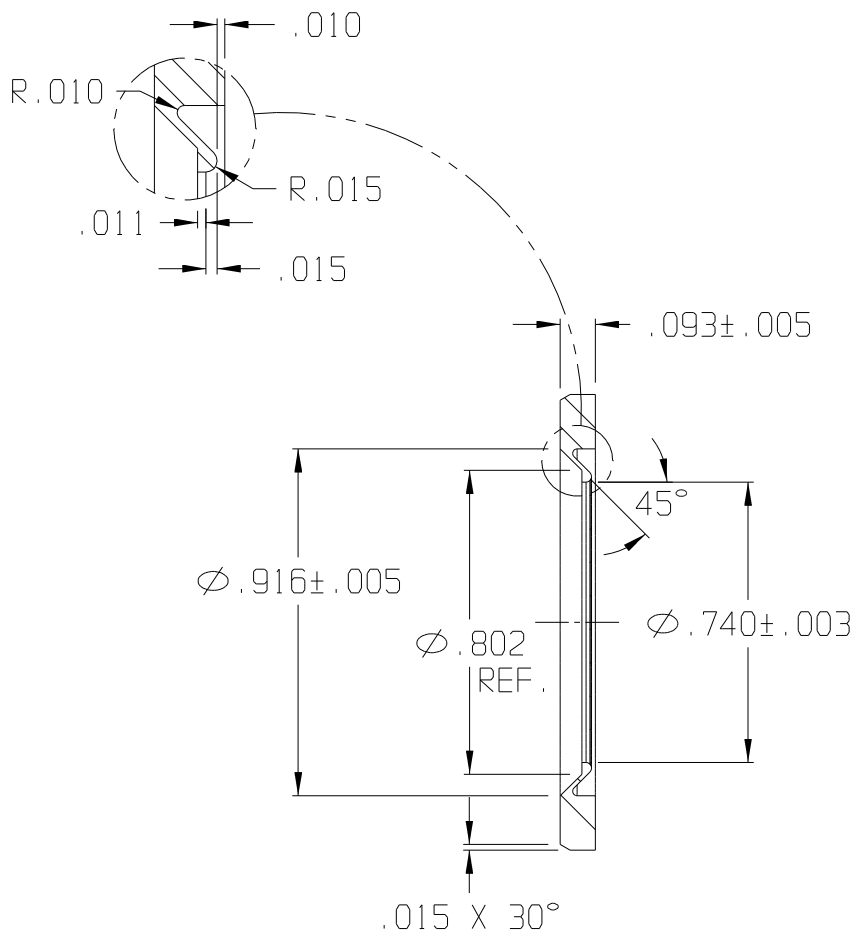
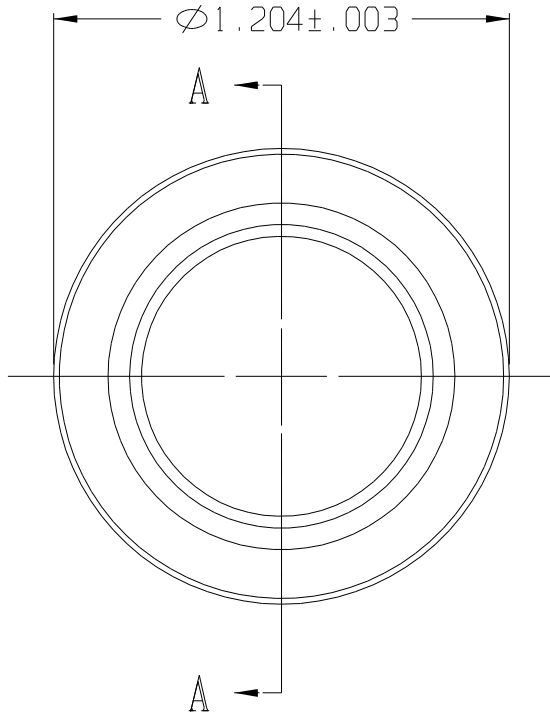


10	9	8	7	6	5	4	3	2	1
REV	DATE	DESCRIPTION							
A	01/03	REDRAWN ON CAD							



SECTION A-A

F:\CADKEY\AUCILLA BEARING\PART PRINTS\API 0366_A

THIS DOCUMENT CONTAINS PROPRIETARY DESIGNS, SPECIFICATIONS, DATA, INFORMATION AND TECHNICAL MATERIAL THAT ARE THE SOLE PROPERTY OF AUCILLA, INC. THIS INFORMATION IS TO BE HELD AND TREATED BY ITS RECIPIENT ON A CONFIDENTIAL BASIS, AND IS NOT TO BE SHOWN OR DISCLOSED TO THIRD PARTIES WITHOUT THE WRITTEN CONSENT OF AUCILLA INC. THIS DATA DOES NOT CONVEY MANUFACTURING RIGHTS TO ANY ITEM SHOWN.



STANDARD TOLERANCES APPLY UNLESS OTHERWISE NOTED

LINEAR INCH		ANGULAR	
4 PLACE	± -----	4 PLACE	\ -----
3 PLACE	± .010	3 PLACE	\ -----
2 PLACE	± -----	2 PLACE	\ -----
1 PLACE	± -----	1 PLACE	\ -----
WHOLE	± -----	WHOLE	\ -----

DESCRIPTION GREASE SEAL			
PART NO.	LS-153-A	API NO.	0366
MATERIAL:	Santoprene 203-50 Nat.	DRAWN BY:	Dittrich
SCALE:	2:1	REV.	A
DATE:	Jan. 2003		

10	9	8	7	6	5	4	3	2	1
----	---	---	---	---	---	---	---	---	---