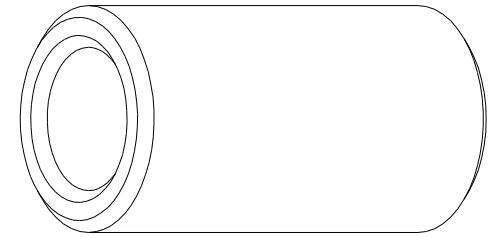
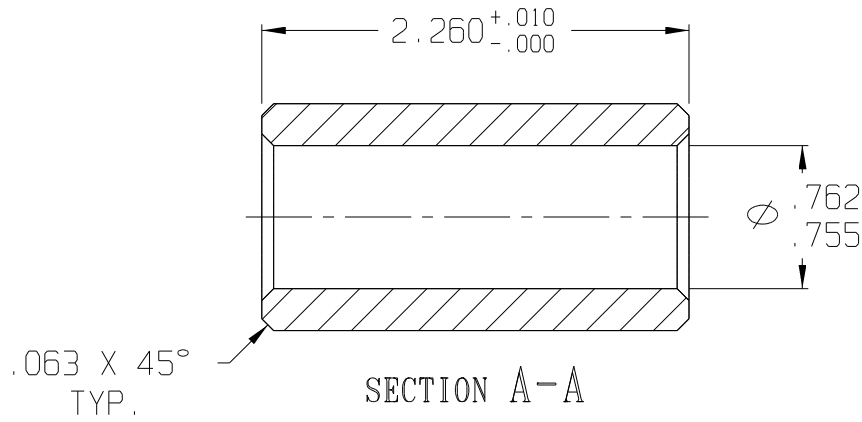
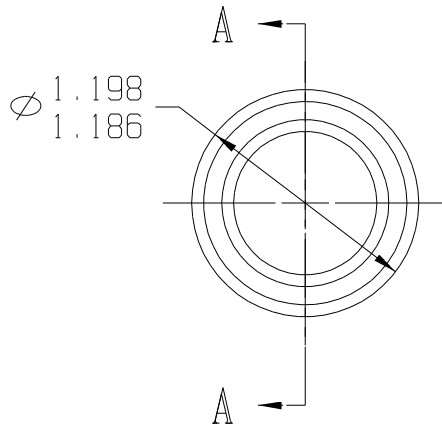


10	9	8	7	6	5	4	3	2	1
REV	DATE	DESCRIPTION							
D	12/02	REDRAWN ON CAD							
E	03/03	ADJUSTED TOLERANCES							



ISOMETRIC VIEW
SCALE 1:1



SECTION A-A

F:\CADKEY\AUCILLA BEARING\PART PRINTS\API 0388_E

THIS DOCUMENT CONTAINS PROPRIETARY DESIGNS, SPECIFICATIONS, DATA, INFORMATION AND TECHNICAL MATERIAL THAT ARE THE SOLE PROPERTY OF AUCILLA, INC. THIS INFORMATION IS TO BE HELD AND TREATED BY ITS RECIPIENT ON A CONFIDENTIAL BASIS, AND IS NOT TO BE SHOWN OR DISCLOSED TO THIRD PARTIES WITHOUT THE WRITTEN CONSENT OF AUCILLA INC. THIS DATA DOES NOT CONVEY MANUFACTURING RIGHTS TO ANY ITEM SHOWN.



STANDARD TOLERANCES APPLY UNLESS OTHERWISE NOTED	
LINEAR INCH	ANGULAR
4 PLACE ± .0000	4 PLACE \ \ .0000
3 PLACE ± .0010	3 PLACE \ \ .0000
2 PLACE ± .0030	2 PLACE \ \ .0000
1 PLACE ± .0050	1 PLACE \ \ .0000
WHOLE ± .0100	WHOLE \ \ .0000

DESCRIPTION STRAIGHT BEARING			
PART NO.	LS-121D	API NO.	0388
MATERIAL	Delrin 500 Bk	DRAWN BY:	Dittrich
SCALE:	1:1	REV.	E
DATE:	Dec. 2002		

10	9	8	7	6	5	4	3	2	1
----	---	---	---	---	---	---	---	---	---