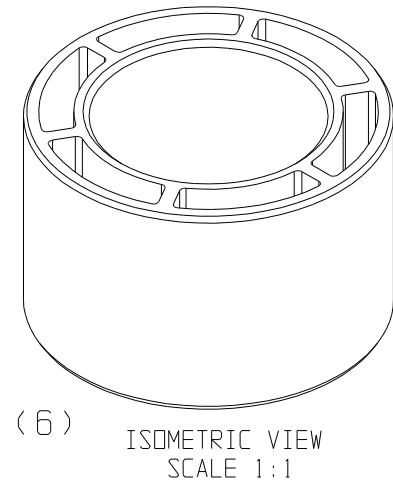
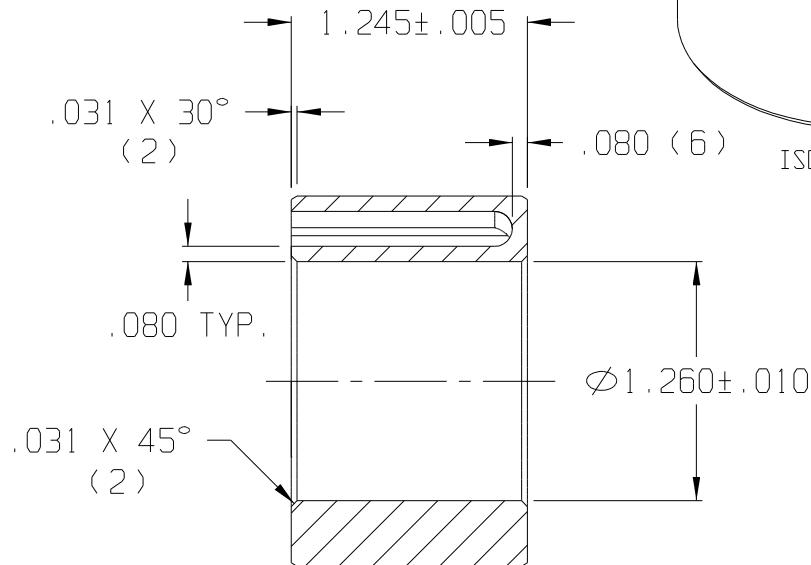
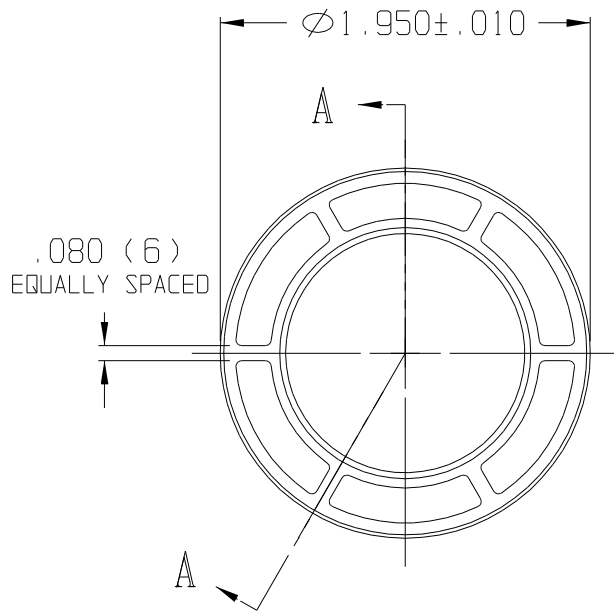


10	9	8	7	6	5	4	3	2	1
REV	DATE	DESCRIPTION							
A	12/02	REDRAWN ON CAD							
B	04/03	UPDATED TOLERANCES							



SECTION A-A

F:\CADKEY\AUCILLA BEARING\PART PRINTS\API 0435_B

THIS DOCUMENT CONTAINS PROPRIETARY DESIGNS, SPECIFICATIONS, DATA, INFORMATION AND TECHNICAL MATERIAL THAT ARE THE SOLE PROPERTY OF AUCILLA, INC. THIS INFORMATION IS TO BE HELD AND TREATED BY ITS RECIPIENT ON A CONFIDENTIAL BASIS, AND IS NOT TO BE SHOWN OR DISCLOSED TO THIRD PARTIES WITHOUT THE WRITTEN CONSENT OF AUCILLA INC. THIS DATA DOES NOT CONVEY MANUFACTURING RIGHTS TO ANY ITEM SHOWN.



STANDARD TOLERANCES APPLY UNLESS OTHERWISE NOTED			
LINEAR INCH		ANGULAR	
4 PLACE	\pm -----	4 PLACE	\setminus -----
3 PLACE	\pm .010	3 PLACE	\setminus -----
2 PLACE	\pm -----	2 PLACE	\setminus -----
1 PLACE	\pm -----	1 PLACE	\setminus -----
WHOLE	\pm -----	WHOLE	\setminus -----

DESCRIPTION STEPPED FLANGED BEARING			
PART NO.	LS-151	API NO.	0435
MATERIAL:	Delrin 500 Block	DRAWN BY:	Dittrich
SCALE:	1:1	REV.	B
DATE:	Dec. 2002		