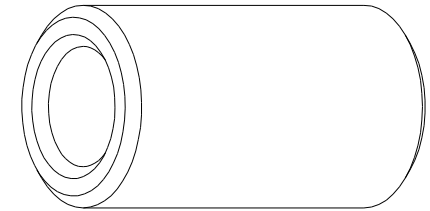
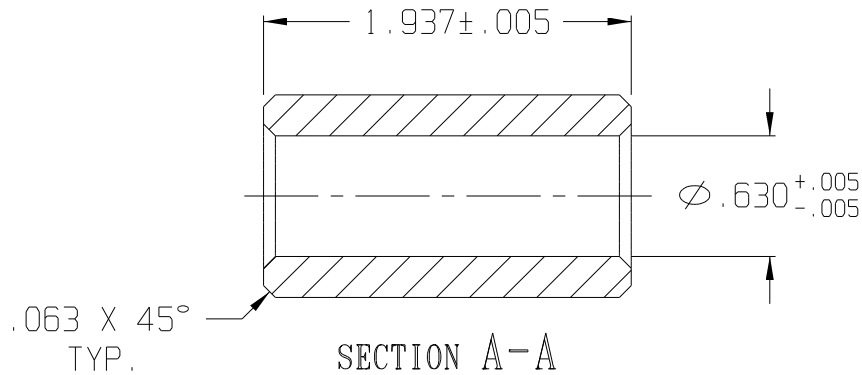
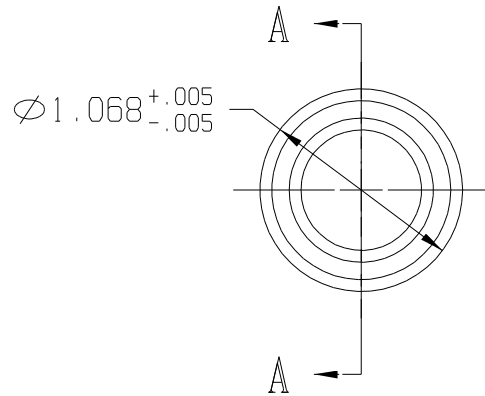


10	9	8	7	6	5	4	3	2	1
REV	DATE	DESCRIPTION							
B	12/02	REDRAWN ON CAD							
C	03/03	ADJUSTED TOLERANCES							



ISOMETRIC VIEW  
SCALE 1:1



F:\CADKEY\AUCILLA BEARING\PART PRINTS\API 0473\_C

THIS DOCUMENT CONTAINS PROPRIETARY DESIGNS, SPECIFICATIONS, DATA, INFORMATION AND TECHNICAL MATERIAL THAT ARE THE SOLE PROPERTY OF AUCILLA, INC. THIS INFORMATION IS TO BE HELD AND TREATED BY ITS RECIPIENT ON A CONFIDENTIAL BASIS, AND IS NOT TO BE SHOWN OR DISCLOSED TO THIRD PARTIES WITHOUT THE WRITTEN CONSENT OF AUCILLA INC. THIS DATA DOES NOT CONVEY MANUFACTURING RIGHTS TO ANY ITEM SHOWN.



STANDARD TOLERANCES APPLY UNLESS OTHERWISE NOTED

LINEAR INCH		ANGULAR	
4 PLACE	$\pm$ -----	4 PLACE	$\backslash$ -----
3 PLACE	$\pm$ .010	3 PLACE	$\backslash$ -----
2 PLACE	$\pm$ -----	2 PLACE	$\backslash$ -----
1 PLACE	$\pm$ -----	1 PLACE	$\backslash$ -----
WHOLE	$\pm$ -----	WHOLE	$\backslash$ -----

DESCRIPTION STRAIGHT BEARING			
PART NO.	LS-169	API NO.	API 0473
MATERIAL	Delrin 500P NC10	SCALE:	1:1
		DATE:	Dec. 2002
		REV.	C
		DRAWN BY:	Dittrich

10	9	8	7	6	5	4	3	2	1
----	---	---	---	---	---	---	---	---	---