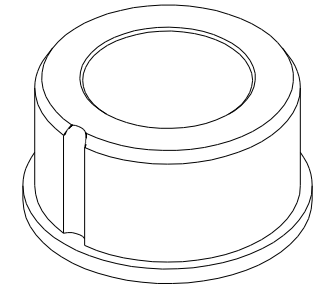
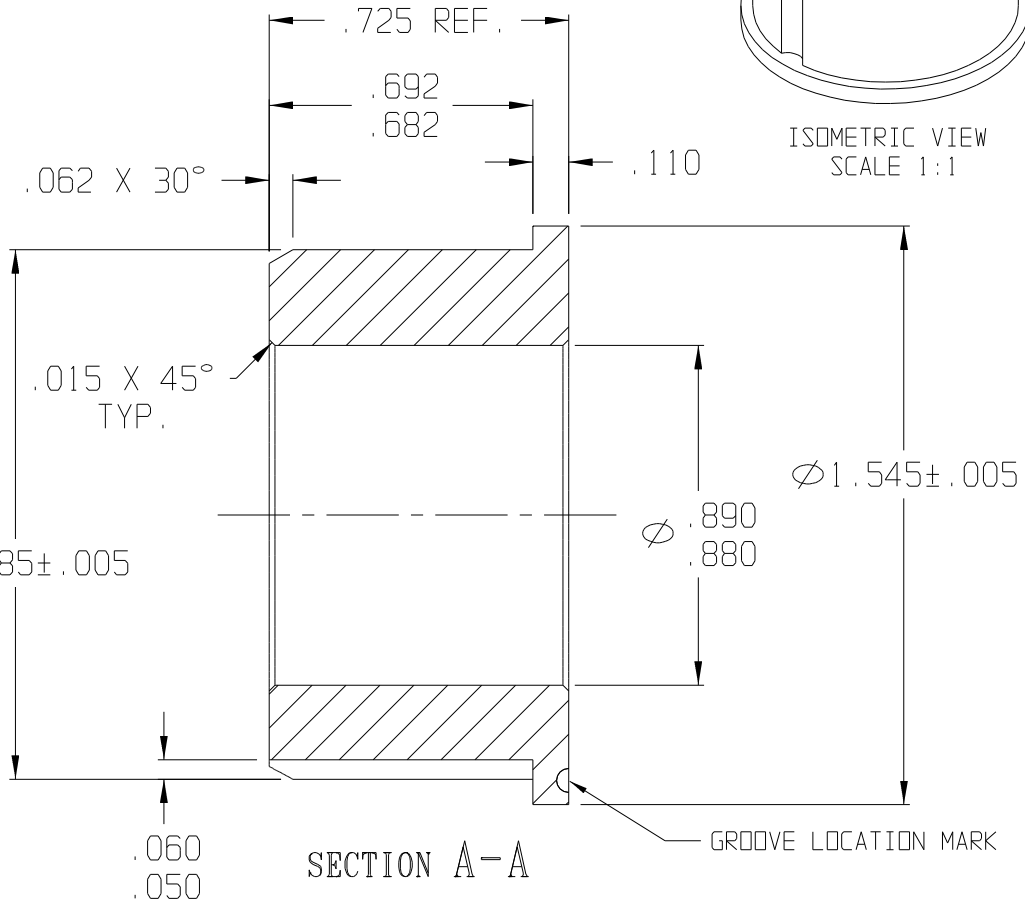
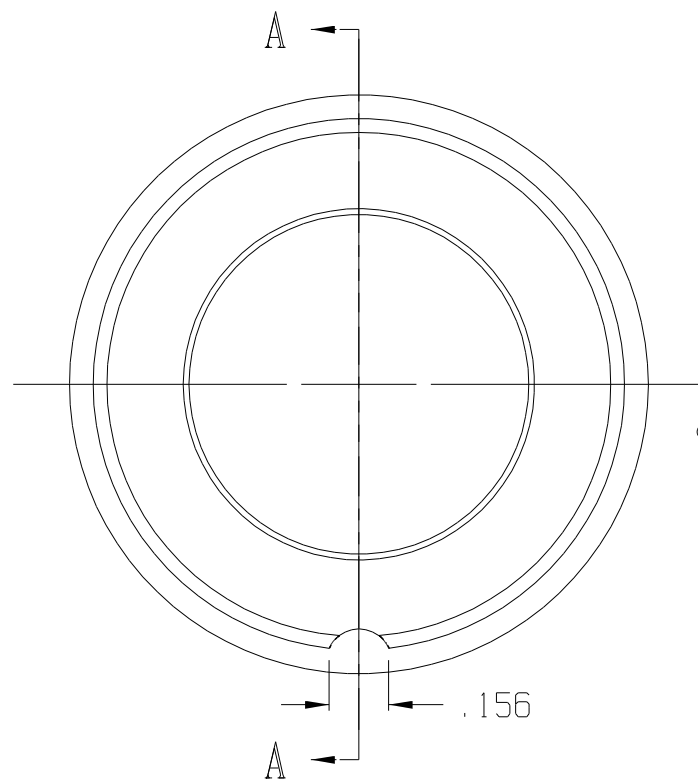


10 9 8 7 6 5 4 3 2 1

REV	DATE	DESCRIPTION
A	12/02	REDRAWN ON CAD
B	04/03	UPDATED TOLERANCES



ISOMETRIC VIEW
SCALE 1:1



SECTION A-A

GROOVE LOCATION MARK

F:\CADKEY\AUCILLA BEARING\PART PRINTS\API 0670_B

THIS DOCUMENT CONTAINS PROPRIETARY DESIGNS, SPECIFICATIONS, DATA, INFORMATION AND TECHNICAL MATERIAL THAT ARE THE SOLE PROPERTY OF AUCILLA, INC. THIS INFORMATION IS TO BE HELD AND TREATED BY ITS RECIPIENT ON A CONFIDENTIAL BASIS, AND IS NOT TO BE SHOWN OR DISCLOSED TO THIRD PARTIES WITHOUT THE WRITTEN CONSENT OF AUCILLA INC. THIS DATA DOES NOT CONVEY MANUFACTURING RIGHTS TO ANY ITEM SHOWN.



STANDARD TOLERANCES APPLY UNLESS OTHERWISE NOTED	
LINEAR INCH	ANGULAR
4 PLACE ± .0000	4 PLACE \ .0000
3 PLACE ± .0010	3 PLACE \ .0000
2 PLACE ± .0030	2 PLACE \ .0000
1 PLACE ± .0050	1 PLACE \ .0000
WHOLE ± .0100	WHOLE \ .0000

DESCRIPTION FLANGED BEARING, SOLID			
PART NO. LS-166	API NO. 0670	SCALE: 2:1	REV. B
MATERIAL: Delrin 500P NC10	DRAWN BY: Dittrich	DATE: Dec. 2002	

10 9 8 7 6 5 4 3 2 1