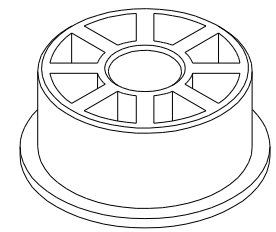
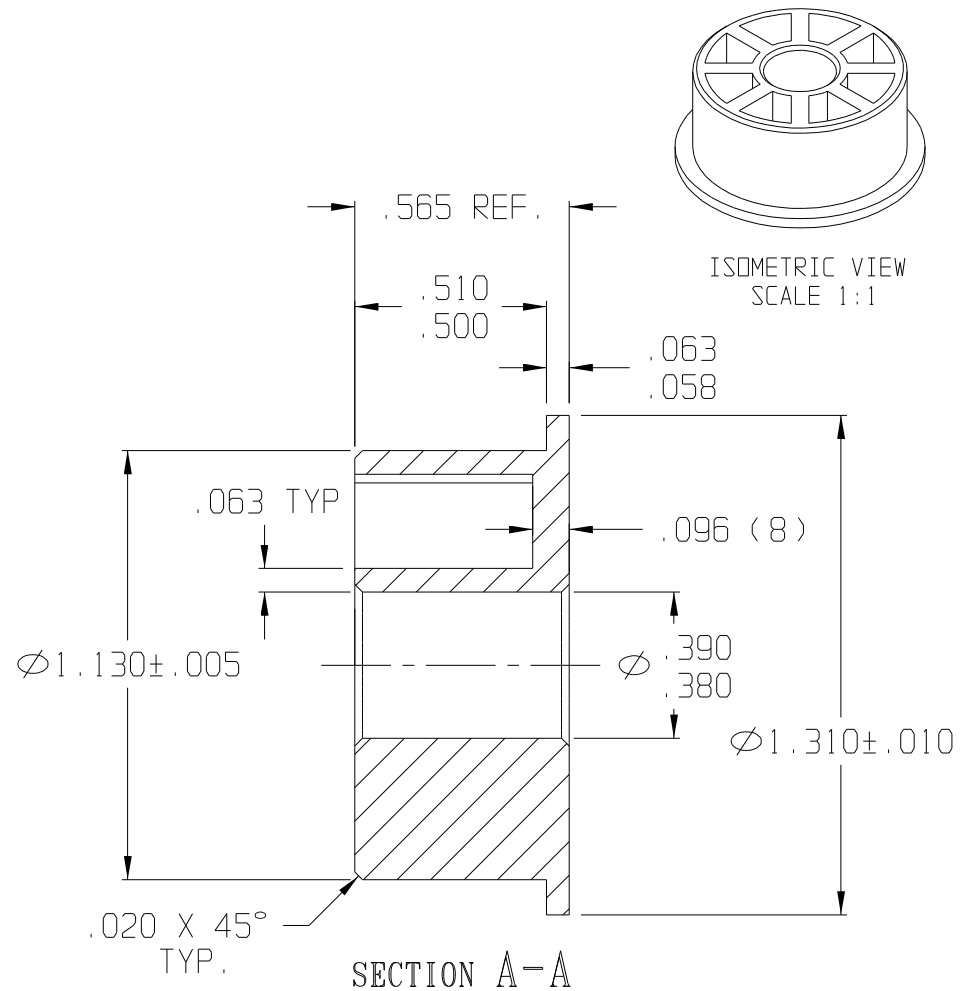
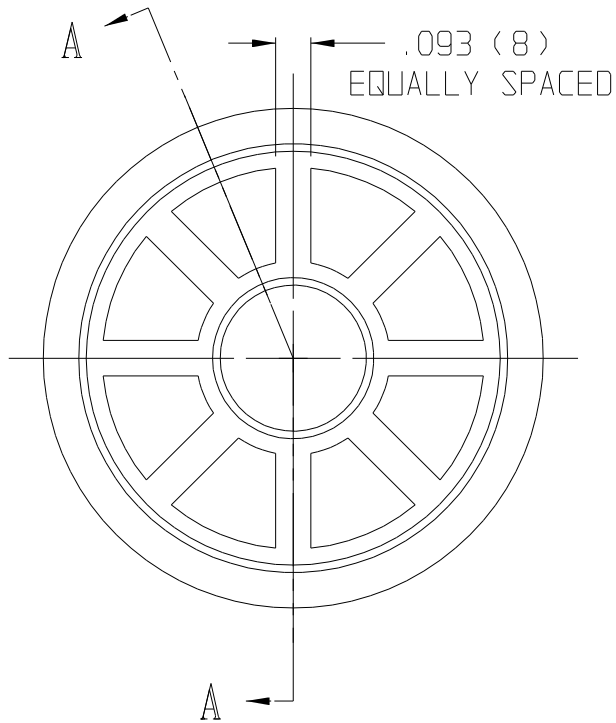


10	9	8	7	6	5	4	3	2	1
REV	DATE	DESCRIPTION							
C	12/02	REDRAWN ON CAD							
D	04/03	UPDATED TOLERANCES							



F:\CADKEY\AUCILLA BEARING\PART PRINTS\API 0984_D

THIS DOCUMENT CONTAINS PROPRIETARY DESIGNS, SPECIFICATIONS, DATA, INFORMATION AND TECHNICAL MATERIAL THAT ARE THE SOLE PROPERTY OF AUCILLA, INC. THIS INFORMATION IS TO BE HELD AND TREATED BY ITS RECIPIENT ON A CONFIDENTIAL BASIS, AND IS NOT TO BE SHOWN OR DISCLOSED TO THIRD PARTIES WITHOUT THE WRITTEN CONSENT OF AUCILLA INC. THIS DATA DOES NOT CONVEY MANUFACTURING RIGHTS TO ANY ITEM SHOWN.



STANDARD TOLERANCES APPLY UNLESS OTHERWISE NOTED

LINEAR INCH		ANGULAR	
4 PLACE	± .0005	4 PLACE	\ .0005
3 PLACE	± .001	3 PLACE	\ .001
2 PLACE	± .002	2 PLACE	\ .002
1 PLACE	± .005	1 PLACE	\ .005
WHOLE	± .010	WHOLE	\ .010

DESCRIPTION FLANGED BEARING, CORED			
PART NO.	LS-181	API NO.	0984
MATERIAL:	Delrin 500P NC10	DRAWN BY:	Dittrich
SCALE:	2:1	REV.	D
DATE:	Dec. 2002		