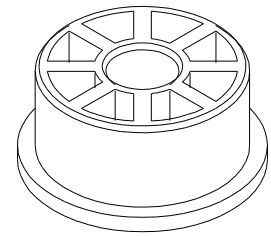
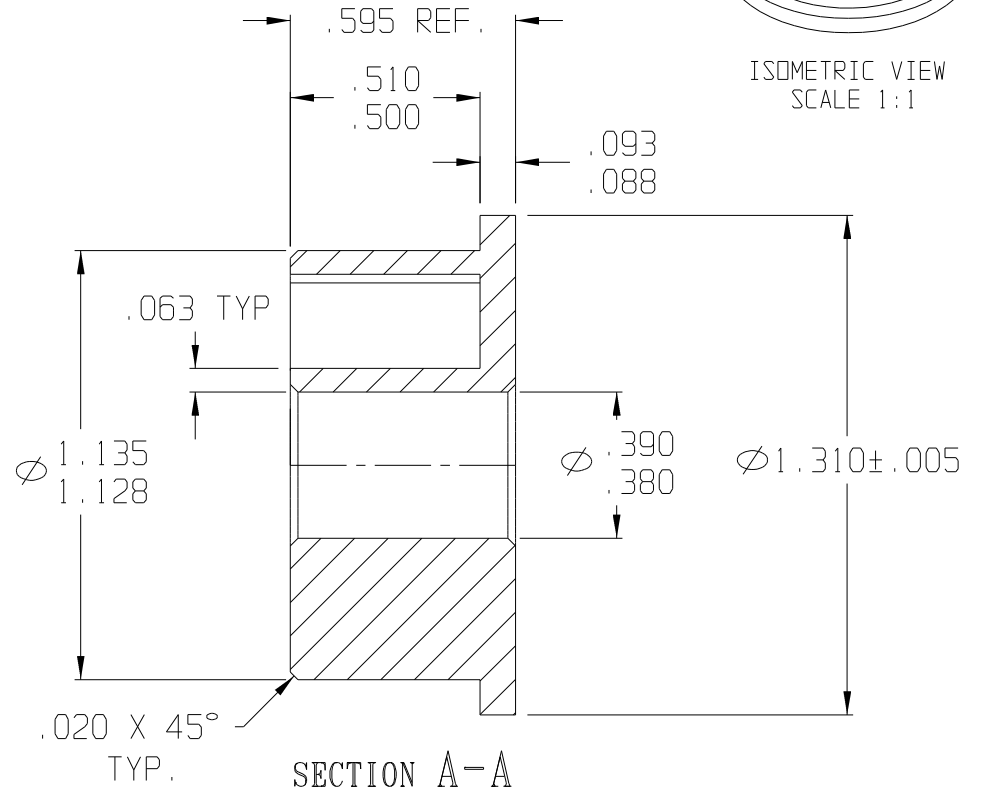
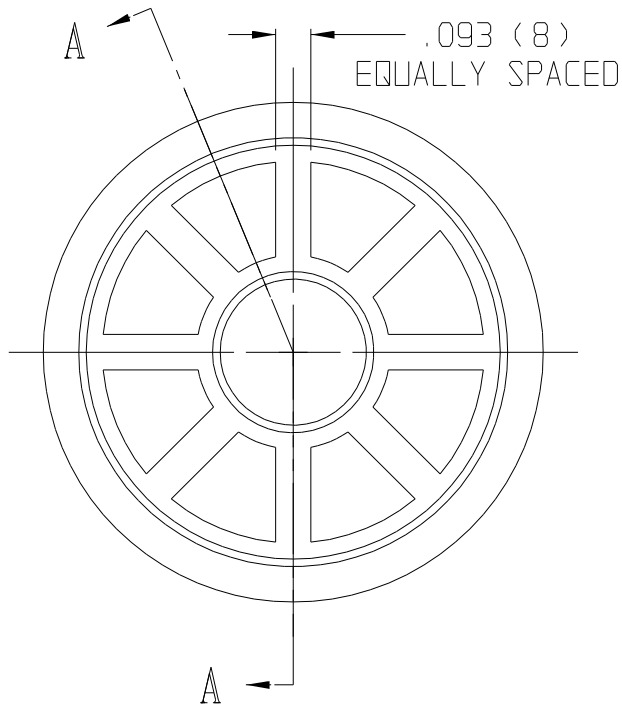


10 9 8 7 6 5 4 3 2 1

REV	DATE	DESCRIPTION
C	12/02	REDRAWN ON CAD
D	04/03	UPDATED TOLERANCES



ISOMETRIC VIEW
SCALE 1:1



F:CADKEY/AUCILLA BEARING/PART PRINTS/API 0985_D

THIS DOCUMENT CONTAINS PROPRIETARY DESIGNS, SPECIFICATIONS, DATA, INFORMATION AND TECHNICAL MATERIAL THAT ARE THE SOLE PROPERTY OF AUCILLA, INC. THIS INFORMATION IS TO BE HELD AND TREATED BY ITS RECIPIENT ON A CONFIDENTIAL BASIS, AND IS NOT TO BE SHOWN OR DISCLOSED TO THIRD PARTIES WITHOUT THE WRITTEN CONSENT OF AUCILLA INC. THIS DATA DOES NOT CONVEY MANUFACTURING RIGHTS TO ANY ITEM SHOWN.



STANDARD TOLERANCES APPLY UNLESS OTHERWISE NOTED

LINEAR INCH		ANGULAR	
4 PLACE	± .0000	4 PLACE	∖ .0000
3 PLACE	± .0010	3 PLACE	∖ .0000
2 PLACE	± .0005	2 PLACE	∖ .0000
1 PLACE	± .0001	1 PLACE	∖ .0000
WHOLE	± .0001	WHOLE	∖ .0000

DESCRIPTION FLANGED BEARING, CORED			
PART NO.	LS-181A	API NO.	0985
MATERIAL:	Delrin 500P NC10	DRAWN BY:	Dittrich
SCALE:	2:1	REV.	D
DATE:	Dec. 2002		

10 9 8 7 6 5 4 3 2 1