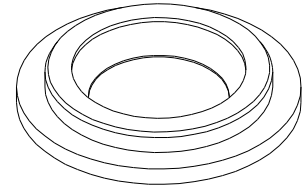
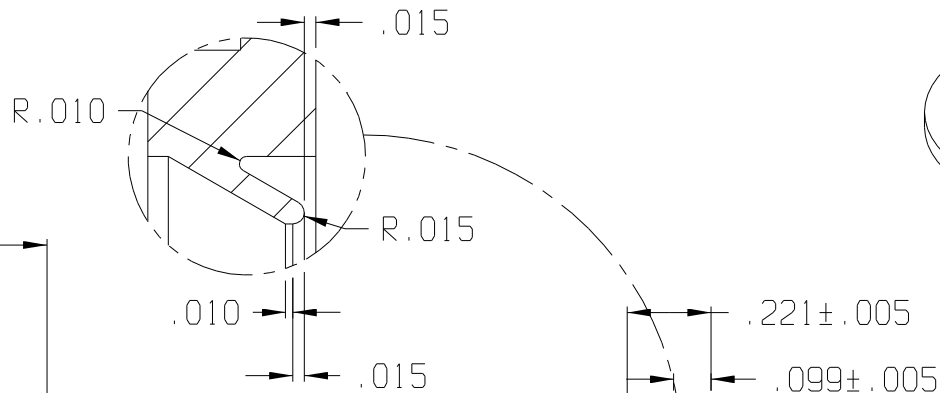
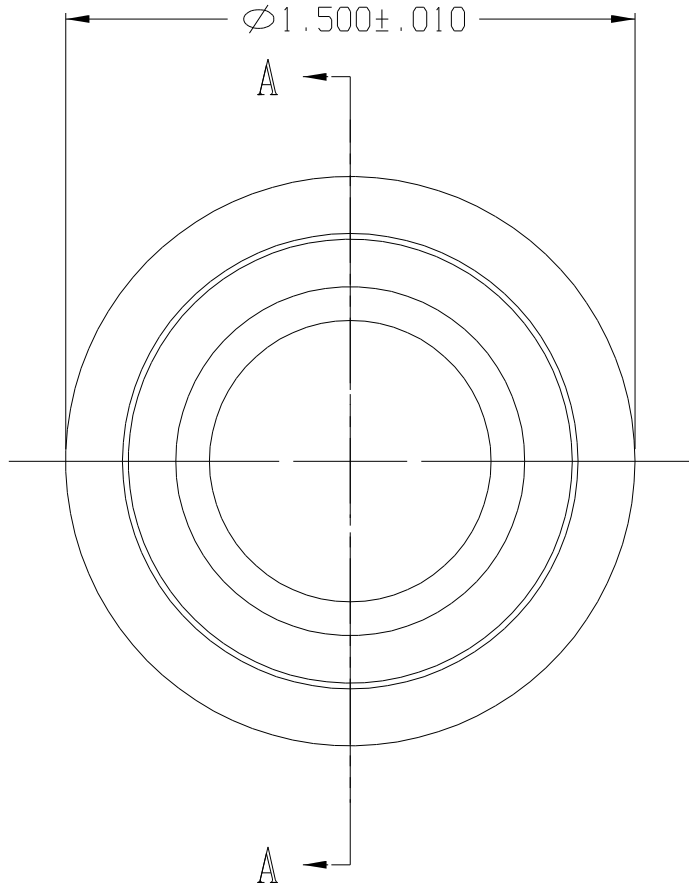
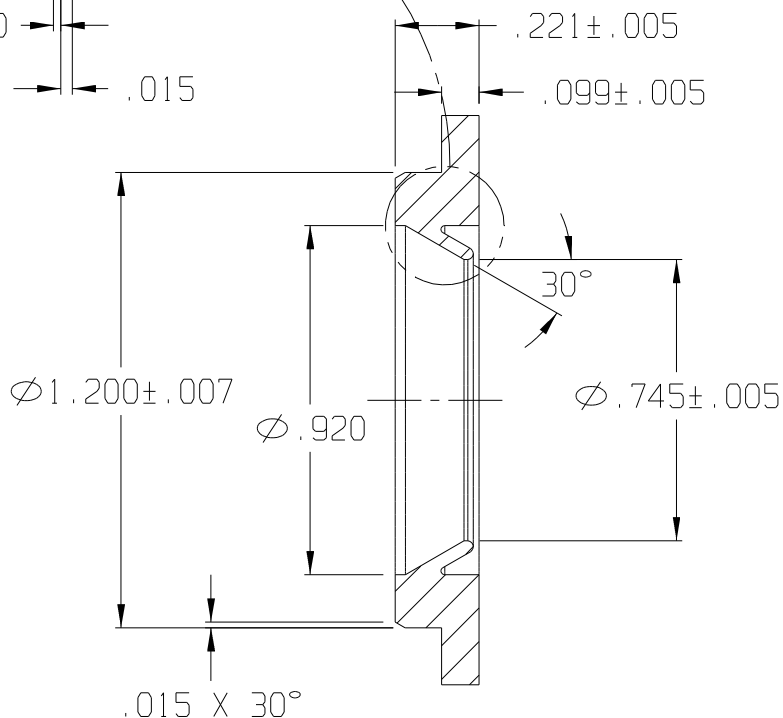


10	9	8	7	6	5	4	3	2	1
REV	DATE	DESCRIPTION							
A	01/03	REDRAWN ON CAD							
B	11/03	UPDATED TOLERANCES							



ISOMETRIC VIEW
SCALE 1:1



SECTION A-A

F:\CADKEY\AUCILLA BEARING\PART PRINTS\API 1567_B

THIS DOCUMENT CONTAINS PROPRIETARY DESIGNS, SPECIFICATIONS, DATA, INFORMATION AND TECHNICAL MATERIAL THAT ARE THE SOLE PROPERTY OF AUCILLA, INC. THIS INFORMATION IS TO BE HELD AND TREATED BY ITS RECIPIENT ON A CONFIDENTIAL BASIS, AND IS NOT TO BE SHOWN OR DISCLOSED TO THIRD PARTIES WITHOUT THE WRITTEN CONSENT OF AUCILLA INC. THIS DATA DOES NOT CONVEY MANUFACTURING RIGHTS TO ANY ITEM SHOWN.



STANDARD TOLERANCES APPLY UNLESS OTHERWISE NOTED			
LINEAR INCH		ANGULAR	
4 PLACE	\pm -----	4 PLACE	\setminus -----
3 PLACE	\pm .010	3 PLACE	\setminus -----
2 PLACE	\pm -----	2 PLACE	\setminus -----
1 PLACE	\pm -----	1 PLACE	\setminus -----
WHOLE	\pm -----	WHOLE	\setminus -----

DESCRIPTION GREASE SEAL			
PART NO.	LS-127AL-BS	API NO.	1567
MATERIAL:	Santoprene 203-50 Bk.	DRAWN BY:	Dittrich
SCALE:	2:1	REV.	B
DATE:	Jan. 2003		