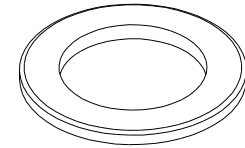
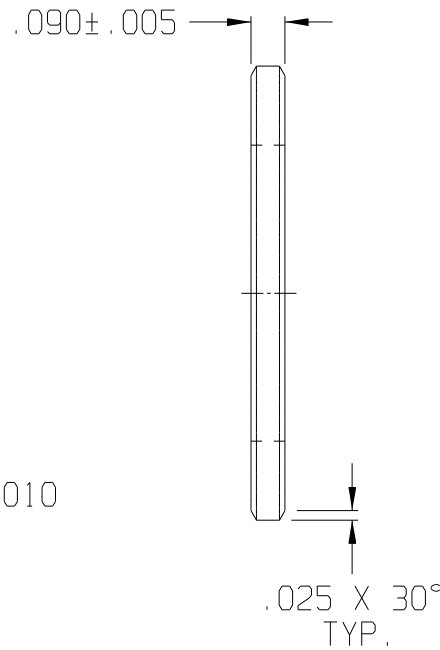
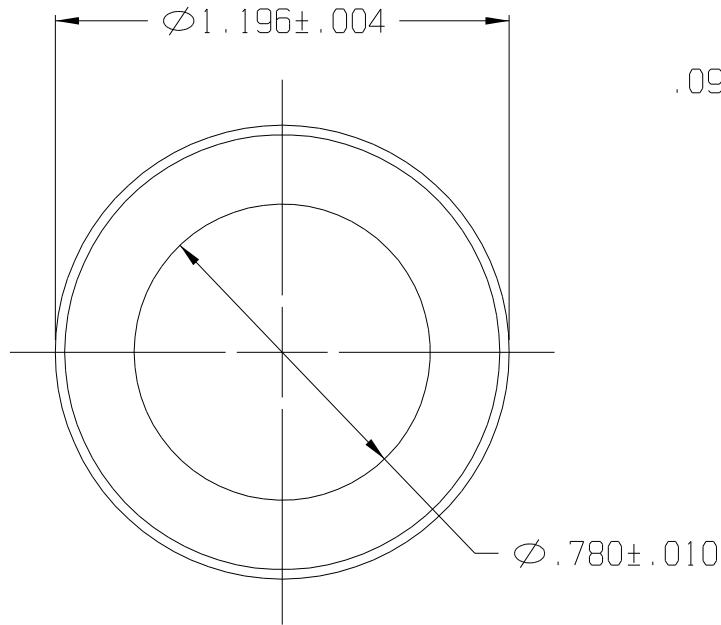


10 9 8 7 6 5 4 3 2 1

REV	DATE	DESCRIPTION
C	01/03	REDRAWN ON CAD



ISOMETRIC VIEW  
SCALE 1:1



F:\CADKEY\AUCILLA BEARING\PART PRINTS\API 1869\_C

THIS DOCUMENT CONTAINS PROPRIETARY DESIGNS, SPECIFICATIONS, DATA, INFORMATION AND TECHNICAL MATERIAL THAT ARE THE SOLE PROPERTY OF AUCILLA, INC. THIS INFORMATION IS TO BE HELD AND TREATED BY ITS RECIPIENT ON A CONFIDENTIAL BASIS, AND IS NOT TO BE SHOWN OR DISCLOSED TO THIRD PARTIES WITHOUT THE WRITTEN CONSENT OF AUCILLA INC. THIS DATA DOES NOT CONVEY MANUFACTURING RIGHTS TO ANY ITEM SHOWN.



STANDARD TOLERANCES APPLY UNLESS OTHERWISE NOTED	
LINEAR INCH	ANGULAR
4 PLACE $\pm$ -----	4 PLACE \ / -----
3 PLACE $\pm$ .010	3 PLACE \ / -----
2 PLACE $\pm$ -----	2 PLACE \ / -----
1 PLACE $\pm$ -----	1 PLACE \ / -----
WHOLE $\pm$ -----	WHOLE \ / -----

DESCRIPTION WASHER			
PART NO.	LS-107-1869	API NO.	1869
MATERIAL:	Zytel 101F NC10	DRAWN BY:	Dittrich
SCALE:	2:1	REV.	C
DATE:	Jan. 2003		

10 9 8 7 6 5 4 3 2 1