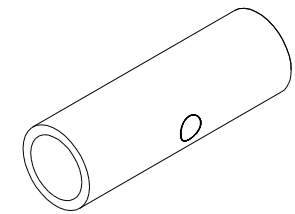
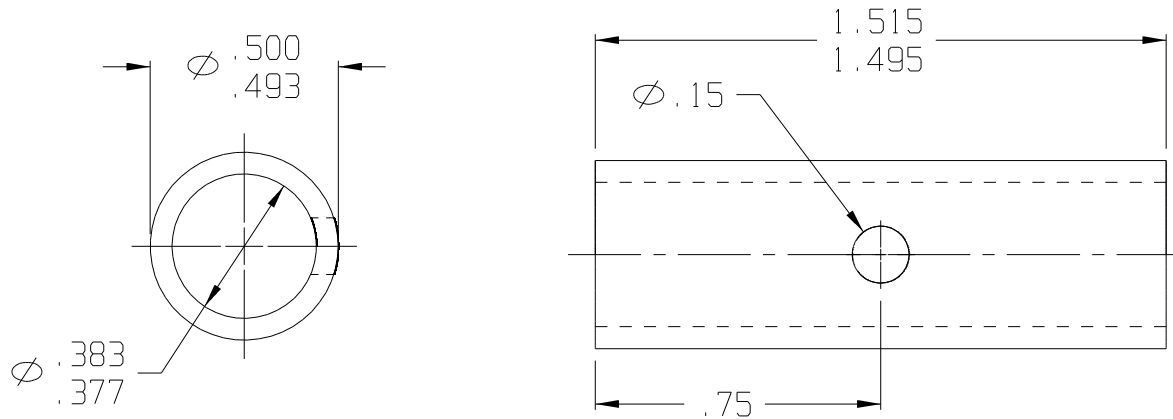


10	9	8	7	6	5	4	3	2	1	
H	REV	DATE	DESCRIPTION							H
	A	01/03	REDRAWN ON CAD							
	B	05/03	UPDATED DIMENSIONS							



ISOMETRIC VIEW  
SCALE 1:1



F:\CADKEY\AUCILLA BEARING\PART PRINTS\API 2071\_B

THIS DOCUMENT CONTAINS PROPRIETARY DESIGNS, SPECIFICATIONS, DATA, INFORMATION AND TECHNICAL MATERIAL THAT ARE THE SOLE PROPERTY OF AUCILLA, INC. THIS INFORMATION IS TO BE HELD AND TREATED BY ITS RECIPIENT ON A CONFIDENTIAL BASIS, AND IS NOT TO BE SHOWN OR DISCLOSED TO THIRD PARTIES WITHOUT THE WRITTEN CONSENT OF AUCILLA INC. THIS DATA DOES NOT CONVEY MANUFACTURING RIGHTS TO ANY ITEM SHOWN.



STANDARD TOLERANCES APPLY UNLESS OTHERWISE NOTED

LINEAR INCH		ANGULAR	
4 PLACE	± .0000	4 PLACE	\ .0000
3 PLACE	± .010	3 PLACE	\ .0000
2 PLACE	± .0000	2 PLACE	\ .0000
1 PLACE	± .0000	1 PLACE	\ .0000
WHOLE	± .0000	WHOLE	\ .0000

DESCRIPTION SPANNER BUSHING			
PART NO.	LS-6824H-2071	API NO.	2071
MATERIAL:	Minlon 12T w/vax	DRAWN BY:	Dittrich
SCALE:	2:1	REV.	B
DATE:	Jan. 2003		

10	9	8	7	6	5	4	3	2	1
----	---	---	---	---	---	---	---	---	---