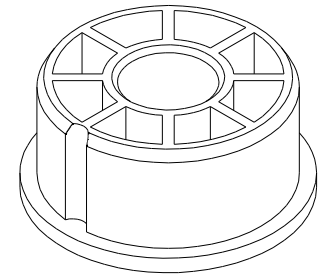
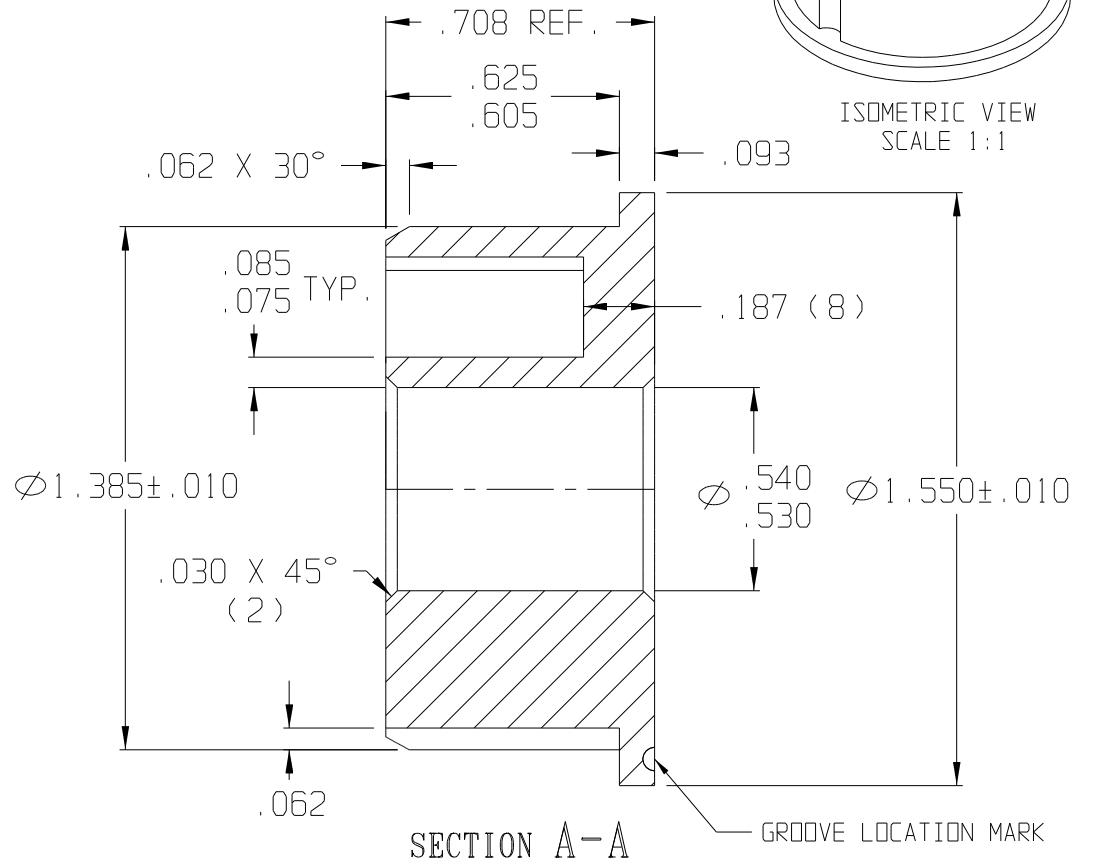
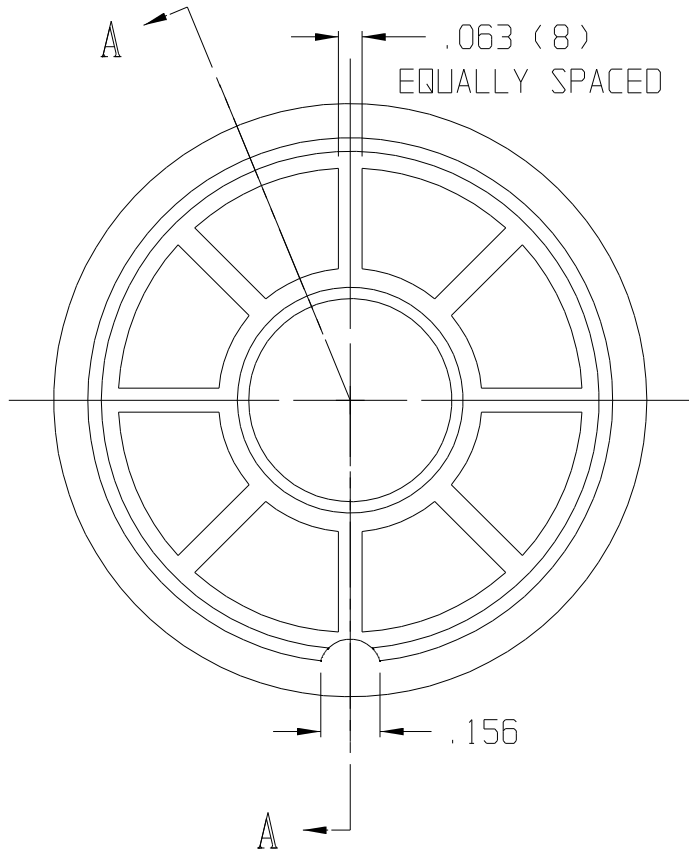


10	9	8	7	6	5	4	3	2	1
REV	DATE	DESCRIPTION							
E	12/02	REDRAWN ON CAD							
F	04/03	UPDATED TOLERANCES							



ISOMETRIC VIEW
SCALE 1:1

F:CADKEY/AUCILLA BEARING/PART PRINTS/API 2247_F

THIS DOCUMENT CONTAINS PROPRIETARY DESIGNS, SPECIFICATIONS, DATA, INFORMATION AND TECHNICAL MATERIAL THAT ARE THE SOLE PROPERTY OF AUCILLA, INC. THIS INFORMATION IS TO BE HELD AND TREATED BY ITS RECIPIENT ON A CONFIDENTIAL BASIS, AND IS NOT TO BE SHOWN OR DISCLOSED TO THIRD PARTIES WITHOUT THE WRITTEN CONSENT OF AUCILLA INC. THIS DATA DOES NOT CONVEY MANUFACTURING RIGHTS TO ANY ITEM SHOWN.



STANDARD TOLERANCES APPLY UNLESS OTHERWISE NOTED

LINEAR INCH		ANGULAR	
4 PLACE	\pm .0001	4 PLACE	\backslash .0001
3 PLACE	\pm .001	3 PLACE	\backslash .0005
2 PLACE	\pm .005	2 PLACE	\backslash .0015
1 PLACE	\pm .015	1 PLACE	\backslash .0045
WHOLE	\pm .030	WHOLE	\backslash .0135

DESCRIPTION FLANGED BEARING, CORED			
PART NO.	LS-163A	API NO.	2247
MATERIAL:	Delrin 500P NC10	DRAWN BY:	Dittrich
SCALE:	2:1	REV:	F
DATE:	Dec. 2002		