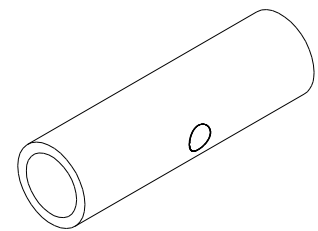
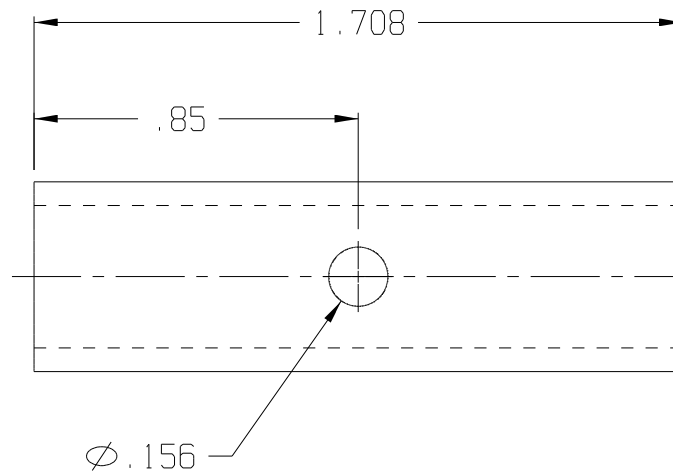
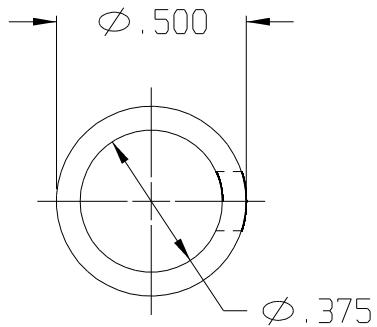


10 9 8 7 6 5 4 3 2 1

REV	DATE	DESCRIPTION
D	01/03	REDRAWN ON CAD
E	09/03	PART NO. CHANGE



ISOMETRIC VIEW  
SCALE 1:1



F:\CADKEY\AUCILLA BEARING\PART PRINTS\API 2407\_D

THIS DOCUMENT CONTAINS PROPRIETARY DESIGNS, SPECIFICATIONS, DATA, INFORMATION AND TECHNICAL MATERIAL THAT ARE THE SOLE PROPERTY OF AUCILLA, INC. THIS INFORMATION IS TO BE HELD AND TREATED BY ITS RECIPIENT ON A CONFIDENTIAL BASIS, AND IS NOT TO BE SHOWN OR DISCLOSED TO THIRD PARTIES WITHOUT THE WRITTEN CONSENT OF AUCILLA INC. THIS DATA DOES NOT CONVEY MANUFACTURING RIGHTS TO ANY ITEM SHOWN.



STANDARD TOLERANCES APPLY UNLESS OTHERWISE NOTED

LINEAR INCH		ANGULAR	
4 PLACE	± .0005	4 PLACE	∖ .0005
3 PLACE	± .005	3 PLACE	∖ .005
2 PLACE	± .005	2 PLACE	∖ .005
1 PLACE	± .005	1 PLACE	∖ .005
WHOLE	± .005	WHOLE	∖ .005

DESCRIPTION  
SPANNER BUSHING

PART NO.	API 2407	API NO.	2407	SCALE:	2:1	REV.	E
MATERIAL:	Minlon 12T w/wax	DRAWN BY:	Dittrich	DATE:	Jan. 2003		

10 9 8 7 6 5 4 3 2 1