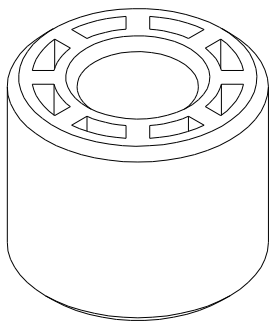
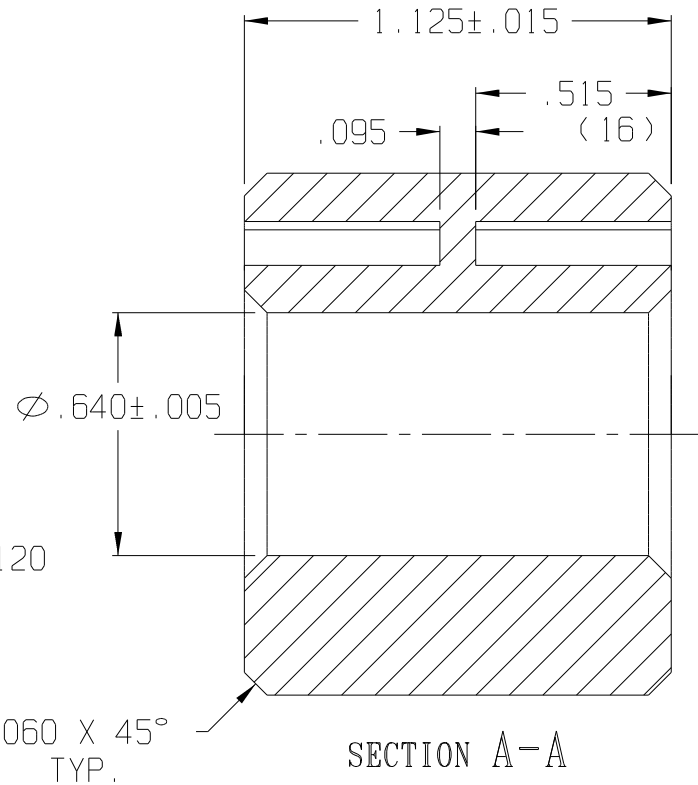
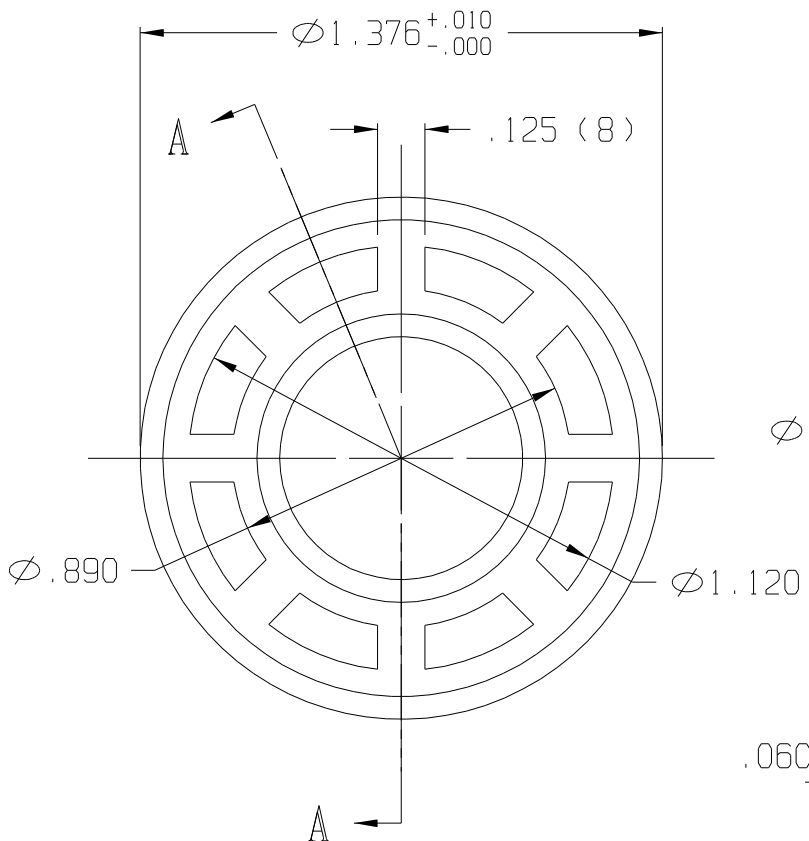


10 9 8 7 6 5 4 3 2 1

| | | |
|-----|-------|----------------|
| REV | DATE | DESCRIPTION |
| A | 01/03 | REDRAWN ON CAD |



ISOMETRIC VIEW
SCALE 1:1



SECTION A-A

F:\CADKEY\AUCILLA BEARING\PART PRINTS\API 2432_A

THIS DOCUMENT CONTAINS PROPRIETARY DESIGNS, SPECIFICATIONS, DATA, INFORMATION AND TECHNICAL MATERIAL THAT ARE THE SOLE PROPERTY OF AUCILLA, INC. THIS INFORMATION IS TO BE HELD AND TREATED BY ITS RECIPIENT ON A CONFIDENTIAL BASIS, AND IS NOT TO BE SHOWN OR DISCLOSED TO THIRD PARTIES WITHOUT THE WRITTEN CONSENT OF AUCILLA INC. THIS DATA DOES NOT CONVEY MANUFACTURING RIGHTS TO ANY ITEM SHOWN.



| STANDARD TOLERANCES APPLY UNLESS OTHERWISE NOTED | |
|--|-----------------|
| LINEAR INCH | ANGULAR |
| 4 PLACE ± ----- | 4 PLACE \ ----- |
| 3 PLACE ± .010 | 3 PLACE \ ----- |
| 2 PLACE ± ----- | 2 PLACE \ ----- |
| 1 PLACE ± ----- | 1 PLACE \ ----- |
| WHOLE ± ----- | WHOLE \ ----- |

| | | | |
|--|--------------------|-----------------|--------|
| DESCRIPTION STRAIGHT BEARING, CORED | | | |
| PART NO. 2432 | API NO. 2432 | SCALE: 2:1 | REV. A |
| MATERIAL: Delrin 500 BK | DRAWN BY: Dittrich | DATE: Jan. 2003 | |

10 9 8 7 6 5 4 3 2 1