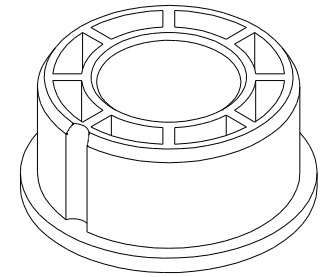
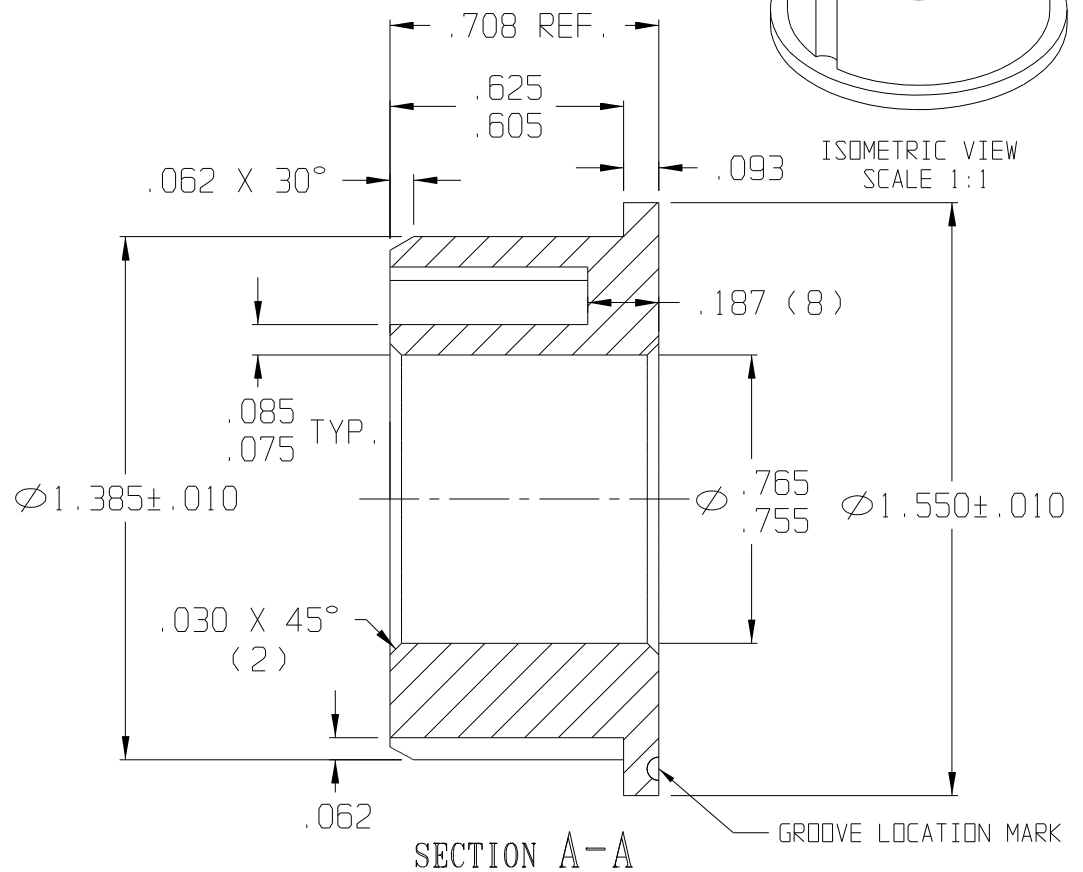
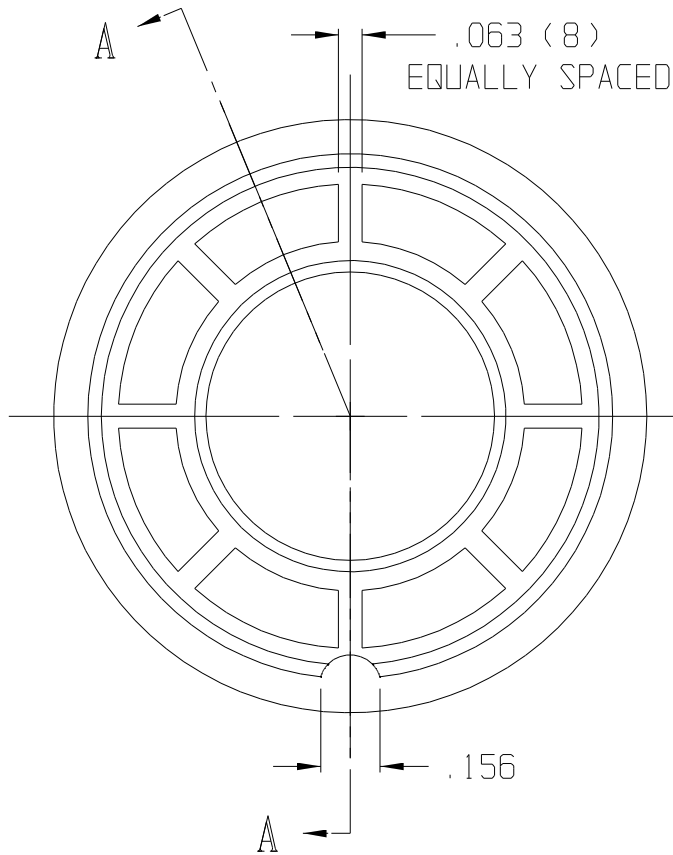


10	9	8	7	6	5	4	3	2	1
REV	DATE	DESCRIPTION							
A	02/03	ADDED PART NUMBER							
B	04/03	UPDATED TOLERANCES							



ISOMETRIC VIEW
SCALE 1:1

F:\CADKEY\AUCILLA BEARING\PART PRINTS\API 2587_B

THIS DOCUMENT CONTAINS PROPRIETARY DESIGNS, SPECIFICATIONS, DATA, INFORMATION AND TECHNICAL MATERIAL THAT ARE THE SOLE PROPERTY OF AUCILLA, INC. THIS INFORMATION IS TO BE HELD AND TREATED BY ITS RECIPIENT ON A CONFIDENTIAL BASIS, AND IS NOT TO BE SHOWN OR DISCLOSED TO THIRD PARTIES WITHOUT THE WRITTEN CONSENT OF AUCILLA INC. THIS DATA DOES NOT CONVEY MANUFACTURING RIGHTS TO ANY ITEM SHOWN.



STANDARD TOLERANCES APPLY UNLESS OTHERWISE NOTED

LINEAR INCH		ANGULAR	
4 PLACE	\pm .0001	4 PLACE	\backslash .0001
3 PLACE	\pm .001	3 PLACE	\backslash .0005
2 PLACE	\pm .005	2 PLACE	\backslash .0015
1 PLACE	\pm .015	1 PLACE	\backslash .0045
WHOLE	\pm .030	WHOLE	\backslash .0135

DESCRIPTION FLANGED BEARING, CORED			
PART NO.	LS-165BLK	API NO.	2587
MATERIAL:	Delrin 500P Bk.	DRAWN BY:	Dittrich
SCALE:	2:1	DATE:	Feb. 2003
REV.	B		