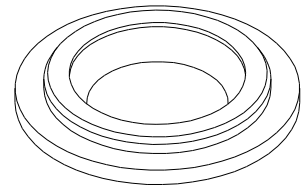
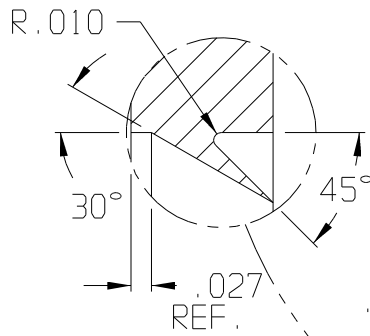
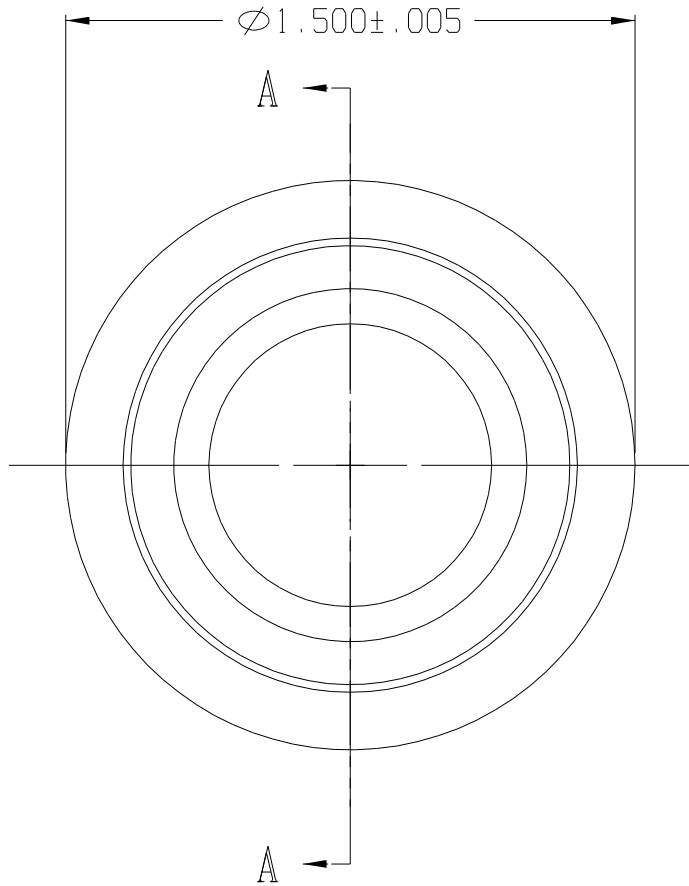
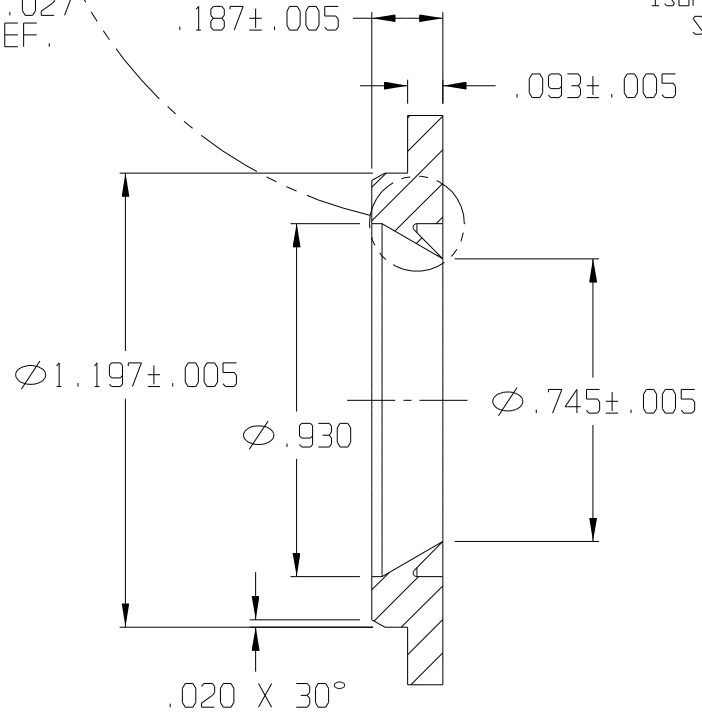


10	9	8	7	6	5	4	3	2	1
----	---	---	---	---	---	---	---	---	---

REV	DATE	DESCRIPTION
-----	------	-------------



ISOMETRIC VIEW
SCALE 1:1



SECTION A-A

F:CADKEY/AUCILLA BEARING/PART PRINTS/API 2591

THIS DOCUMENT CONTAINS PROPRIETARY DESIGNS, SPECIFICATIONS, DATA, INFORMATION AND TECHNICAL MATERIAL THAT ARE THE SOLE PROPERTY OF AUCILLA, INC. THIS INFORMATION IS TO BE HELD AND TREATED BY ITS RECIPIENT ON A CONFIDENTIAL BASIS, AND IS NOT TO BE SHOWN OR DISCLOSED TO THIRD PARTIES WITHOUT THE WRITTEN CONSENT OF AUCILLA INC. THIS DATA DOES NOT CONVEY MANUFACTURING RIGHTS TO ANY ITEM SHOWN.



STANDARD TOLERANCES APPLY UNLESS OTHERWISE NOTED

LINEAR INCH		ANGULAR	
4 PLACE	\pm -----	4 PLACE	\setminus -----
3 PLACE	\pm .010	3 PLACE	\setminus -----
2 PLACE	\pm -----	2 PLACE	\setminus -----
1 PLACE	\pm -----	1 PLACE	\setminus -----
WHOLE	\pm -----	WHOLE	\setminus -----

DESCRIPTION FLANGED SEAL			
PART NO. 2591	API NO. 2591	SCALE: 2:1	REV. -
MATERIAL: TPE 100 BLACK	DRAWN BY: Dittrich	DATE: Jan. 2003	

10	9	8	7	6	5	4	3	2	1
----	---	---	---	---	---	---	---	---	---