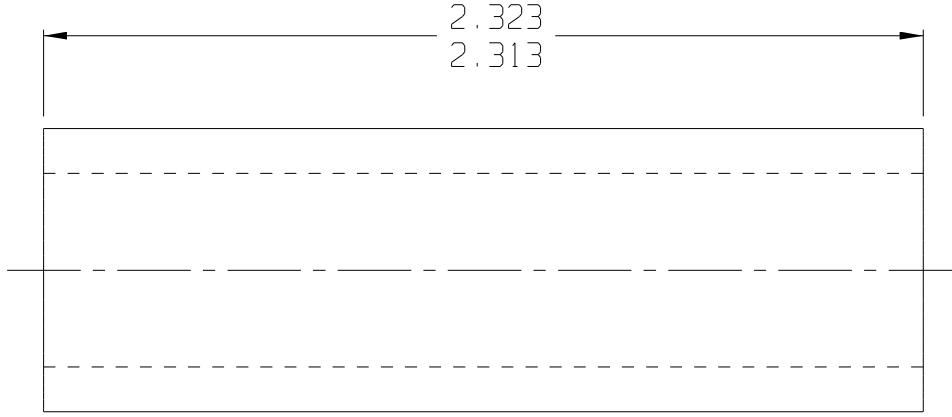
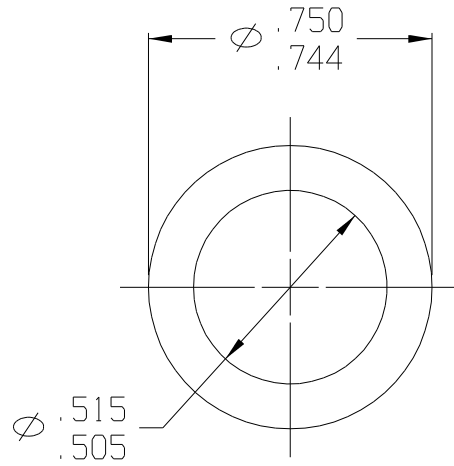
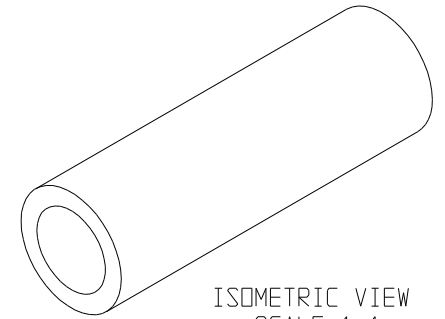


10 9 8 7 6 5 4 3 2 1

REV	DATE	DESCRIPTION
-	04/03	RELEASED



F:\CADKEY\AUCILLA BEARING\PART PRINTS\API 2599

THIS DOCUMENT CONTAINS PROPRIETARY DESIGNS, SPECIFICATIONS, DATA, INFORMATION AND TECHNICAL MATERIAL THAT ARE THE SOLE PROPERTY OF AUCILLA, INC. THIS INFORMATION IS TO BE HELD AND TREATED BY ITS RECIPIENT ON A CONFIDENTIAL BASIS, AND IS NOT TO BE SHOWN OR DISCLOSED TO THIRD PARTIES WITHOUT THE WRITTEN CONSENT OF AUCILLA INC. THIS DATA DOES NOT CONVEY MANUFACTURING RIGHTS TO ANY ITEM SHOWN.



STANDARD TOLERANCES APPLY UNLESS OTHERWISE NOTED	
LINEAR INCH	ANGULAR
4 PLACE $\pm$ -----	4 PLACE $\backslash$ -----
3 PLACE $\pm$ .010	3 PLACE $\backslash$ -----
2 PLACE $\pm$ -----	2 PLACE $\backslash$ -----
1 PLACE $\pm$ -----	1 PLACE $\backslash$ -----
WHOLE $\pm$ -----	WHOLE $\backslash$ -----

DESCRIPTION SPANNER BUSHING			
PART NO. 2599	API NO. 2599	SCALE: 2:1	REV. -
MATERIAL: See Note 1	DRAWN BY: Dittrich	DATE: 04/03	

1. MATERIAL - NYLON 4/6 w/ 15% GLASS  
 COLOR - BLACK  
 -or- STANYL TW200 F3 BK

10 9 8 7 6 5 4 3 2 1