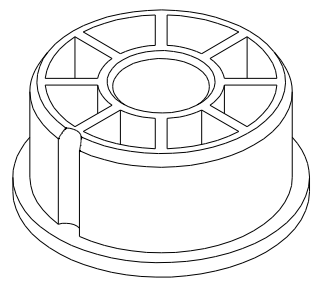
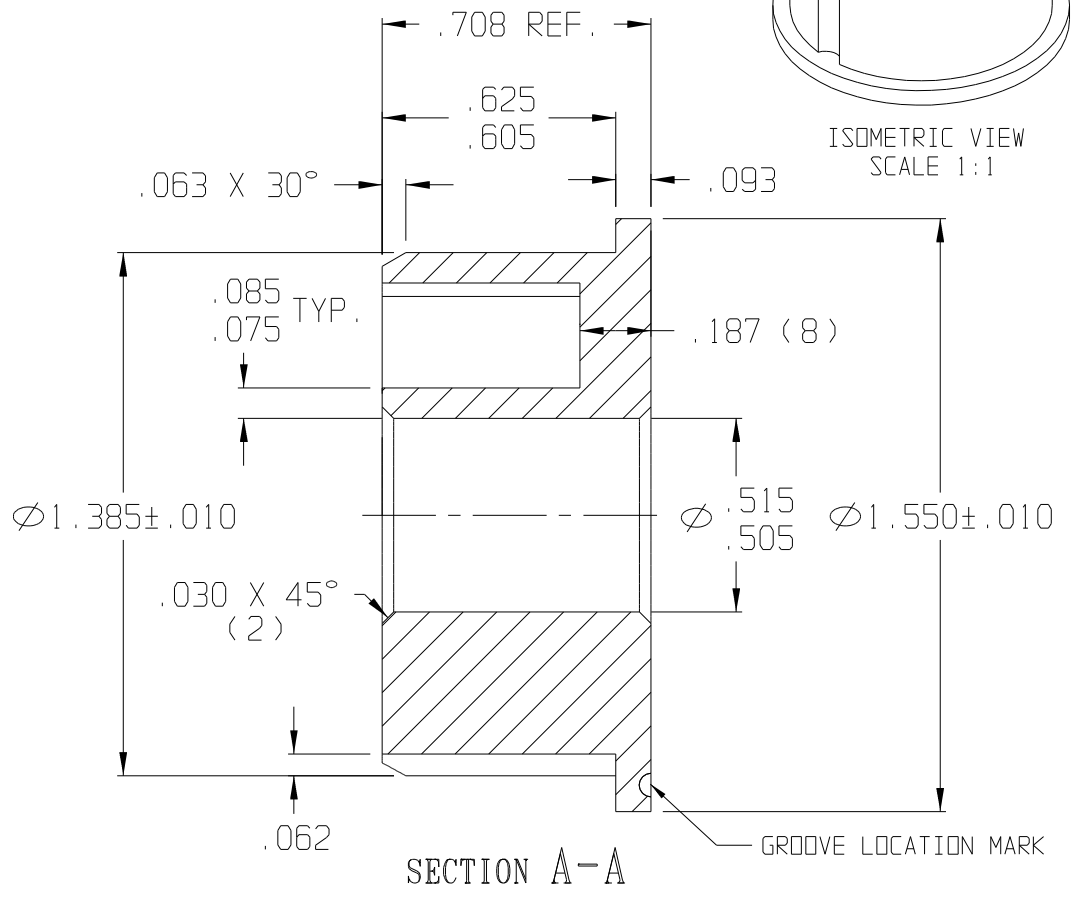
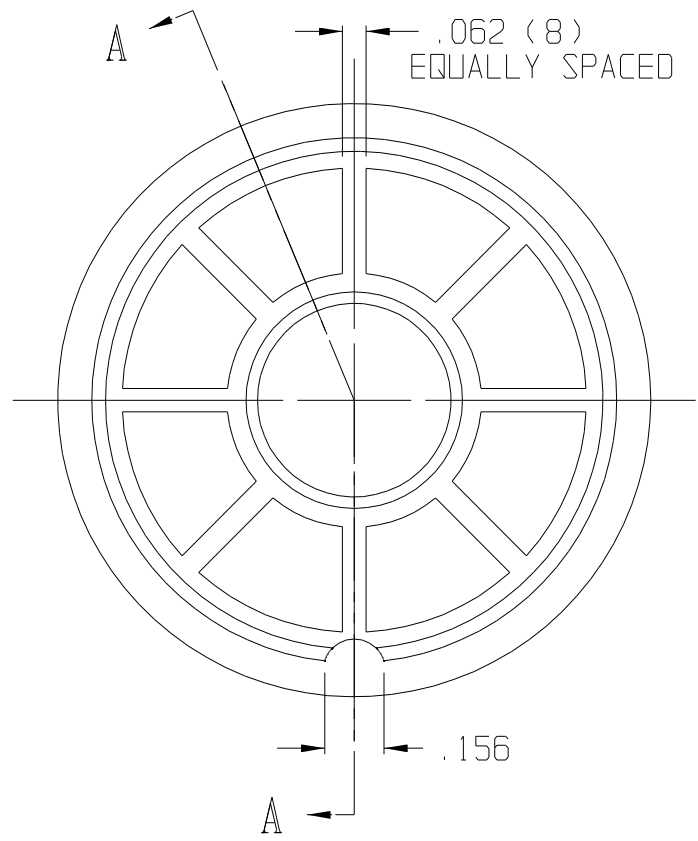


10	9	8	7	6	5	4	3	2	1
REV	DATE	DESCRIPTION							



ISOMETRIC VIEW
SCALE 1:1

SECTION A-A

F:CADKEY/AUCILLA BEARING/PART PRINTS/API 2627

THIS DOCUMENT CONTAINS PROPRIETARY DESIGNS, SPECIFICATIONS, DATA, INFORMATION AND TECHNICAL MATERIAL THAT ARE THE SOLE PROPERTY OF AUCILLA, INC. THIS INFORMATION IS TO BE HELD AND TREATED BY ITS RECIPIENT ON A CONFIDENTIAL BASIS, AND IS NOT TO BE SHOWN OR DISCLOSED TO THIRD PARTIES WITHOUT THE WRITTEN CONSENT OF AUCILLA INC. THIS DATA DOES NOT CONVEY MANUFACTURING RIGHTS TO ANY ITEM SHOWN.



STANDARD TOLERANCES APPLY UNLESS OTHERWISE NOTED	
LINEAR INCH	ANGULAR
4 PLACE ± .0001	4 PLACE \ \ .0001
3 PLACE ± .001	3 PLACE \ \ .001
2 PLACE ± .005	2 PLACE \ \ .005
1 PLACE ± .015	1 PLACE \ \ .015
WHOLE ± .030	WHOLE \ \ .030

DESCRIPTION FLANGED BEARING, CORED			
PART NO.	LS-163BLK	API NO.	2627
MATERIAL:	Delrin 500 Block	DRAWN BY:	Oittrich
SCALE:	2:1	DATE:	Nov. 2003

NOTE: TYPICAL WALL THICKNESS .080