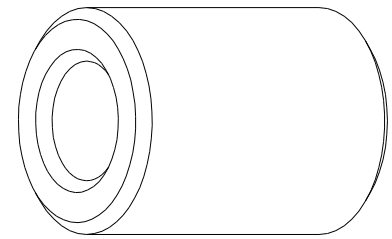
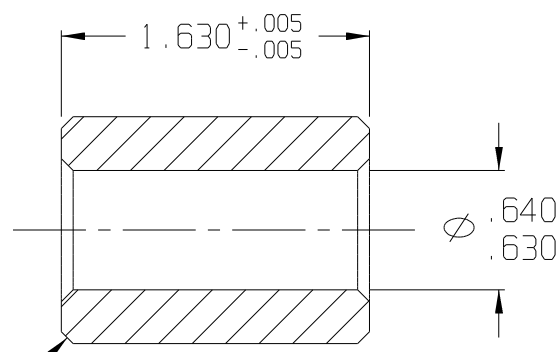
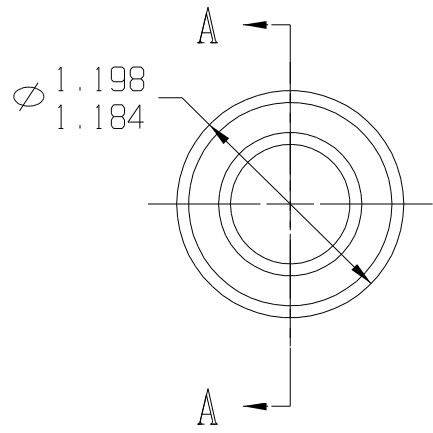


10 9 8 7 6 5 4 3 2 1

REV DATE DESCRIPTION



ISOMETRIC VIEW
SCALE 1:1



.063 X 45°
TYP.

SECTION A-A

F:\CADKEY\AUCILLA BEARING\PART PRINTS\API 2632

THIS DOCUMENT CONTAINS PROPRIETARY DESIGNS, SPECIFICATIONS, DATA, INFORMATION AND TECHNICAL MATERIAL THAT ARE THE SOLE PROPERTY OF AUCILLA, INC. THIS INFORMATION IS TO BE HELD AND TREATED BY ITS RECIPIENT ON A CONFIDENTIAL BASIS, AND IS NOT TO BE SHOWN OR DISCLOSED TO THIRD PARTIES WITHOUT THE WRITTEN CONSENT OF AUCILLA INC. THIS DATA DOES NOT CONVEY MANUFACTURING RIGHTS TO ANY ITEM SHOWN.



STANDARD TOLERANCES APPLY UNLESS OTHERWISE NOTED	
LINEAR INCH	ANGULAR
4 PLACE ± -----	4 PLACE \ -----
3 PLACE ± .010	3 PLACE \ -----
2 PLACE ± -----	2 PLACE \ -----
1 PLACE ± -----	1 PLACE \ -----
WHOLE ± -----	WHOLE \ -----

DESCRIPTION STRAIGHT BEARING			
PART NO.	LS-122B-2632	API NO.	2632
MATERIAL	Delrin 500 Nat	DRAWN BY:	Dittrich
SCALE:	1:1	DATE:	Feb. 2004
REV.	✓		

10 9 8 7 6 5 4 3 2 1